



Submission Sheet for Sky Pro Series

Cassette	Ducted	Outdoor Unit
ASLEC4H4S09	ASLEK4H4S09	ASLCI4H4S09
ASLEC4H4S12	ASLEK4H4S12	ASLCI4H4S12
ASLEC4H4S18	ASLEK4H4S18	ASLCI4H4S18
ASLEC4H4S24	ASLEK4H4S24	ASLCI4H4S24
ASLEC4H4S36	ASLEK4H4S36	ASLCI4H4S36

Job Name: _____

Date: _____

Contractor: _____

Location: _____

Engineer: _____

Tag: _____

Submitted for: Approval Record

Condensing Units						
Model		ASLCI4H4S09	ASLCI4H4S12	ASLCI4H4S18	ASLCI4H4S24	ASLCI4H4S36
Volt., Frequency, Phase		208/230V, 60Hz, 1P				
Cooling Capacity	Btu/h	9000 (4850~11600)	12000 (5800~13100)	18000 (4200~21000)	24000 (8500~27000)	36000 (12500~37300)
	W	2640 (1420~3400)	3520 (1700~3840)	5280 (1230~6150)	7030 (2500~7910)	10550 (3660~11000)
Heating Capacity	Btu/h	9000 (4340~12280)	12000 (4400~14400)	18000 (5600~24000)	24000 (7600~28400)	36000 (15000~39800)
	W	2640 (1270~3600)	3520 (1290~4220)	5280 (1640~7030)	7030 (2230~8320)	10550 (4400~11660)
Cooling Power Input	W	750	1091	1670	2290	3300
Heating Power Input	W	825	1091	1600	1950	3500
Cooling Current Input	A	3.7	4.8	7.6	10.3	14.35
Heating Current Input	A	4.1	4.8	7.3	8.7	15.2
Air Flow Volume (H/M/L)	CFM	1354	1354	1854	2237	3414
	m ³ /h	2300	2300	3150	3800	5800
EER	Btu/Wh	12.0	11.0	10.8	10.5	10.9
COP	Btu/Wh	10.9	11.0	11.3	12.3	10.3
SEER	Btu/Wh	19.0	19.0	18.5	18.0	18.0
HSPF	Btu/Wh	9.5	10.0	9.5	10.0	9.5
Sound Pressure Level	dB(A)	52	52	55	54	61



Submission Sheet for Sky Pro Series

Cassette	Ducted	Outdoor Unit
ASLEC4H4S09	ASLEK4H4S09	ASLCI4H4S09
ASLEC4H4S12	ASLEK4H4S12	ASLCI4H4S12
ASLEC4H4S18	ASLEK4H4S18	ASLCI4H4S18
ASLEC4H4S24	ASLEK4H4S24	ASLCI4H4S24
ASLEC4H4S36	ASLEK4H4S36	ASLCI4H4S36

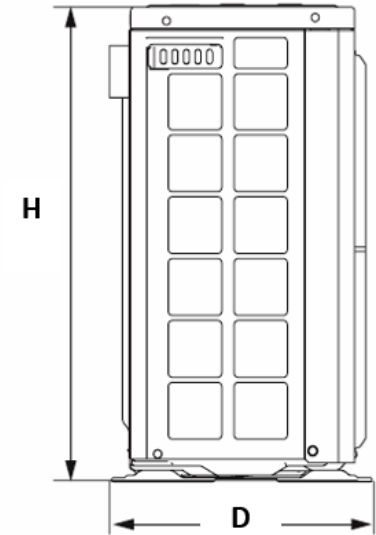
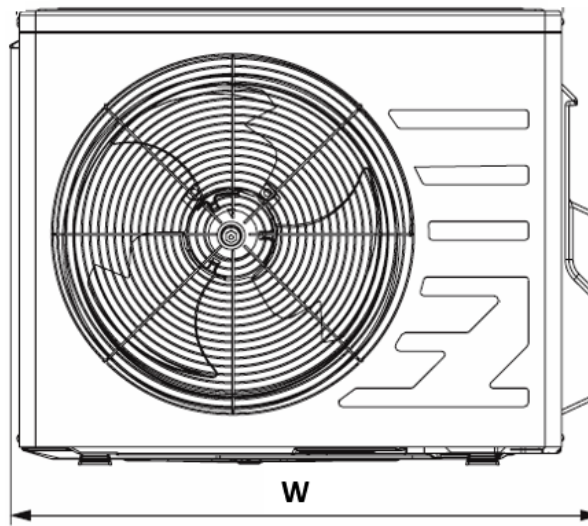
Cooling Operating Range	°F	5~118	5~118	5~118	5~118	5~118
	°C	-15~48	-15~48	-15~48	-15~48	-15~48
Heating Operating Range	°F	5~75	5~75	5~75	5~75	5~75
	°C	-20~24	-20~24	-20~24	-20~24	-20~24
Net Dimensions (WXHxD)	mm	810X580X280	810X580X280	860X670X310	950X840X340	950X1050X340
	in	31-7/8X22-7/8X11	31-7/8X22-7/8X11	33-7/8X26-3/8X12-1/4	37-3/8X33X13-3/8	37-3/8X41-5/16X13-3/8
Gross Dimensions (WXHxD)	mm	940X640X420	940X640X420	990X730X450	1110X460X920	1110X460X1200
	in	37-1/8X16-1/2X25-1/4	37-1/8X16-1/2X25-1/4	39X17-3/4X28-3/4	43-3/8X18-1/8X36-1/4	43-3/8X18-1/8X47-1/4
Net Weight	kg	34	36	48	70.5	87
	Lbs	75	79.4	105.8	155.4	192
Gross Weight	kg	38	40	52	75.5	97
	Lbs	83.8	88.2	114.6	166.4	214.5
Refrigerant		R-410A				
Refrigerant Charge	grams	950	1300	1600	2600	3150
	oz	33.5	45.9	56.4	91.7	111.2
Additional refrigerant	g/m	114.4	114.4	114.4	114.4	114.4
	oz/ft	1.23	1.23	1.23	1.23	1.23
Liquid Pipe Diameter	mm	6.35	6.35	6.35	9.52	9.52
	in	1/4	1/4	1/4	3/8	3/8
Gas Pipe Diameter	mm	9.52	9.52	12.7	15.9	19.1
	in	3/8	3/8	1/2	5/8	3/4
Max. Length	m	25	25	30	50	50
	ft	82	82	98	164	164
Max. Height	m	10	15	15	30	30
	ft	33	49	49	98	98



Submittal Sheet for Sky Pro Series

Cassette	Ducted	Outdoor Unit
ASLEC4H4S09	ASLEK4H4S09	ASLCI4H4S09
ASLEC4H4S12	ASLEK4H4S12	ASLCI4H4S12
ASLEC4H4S18	ASLEK4H4S18	ASLCI4H4S18
ASLEC4H4S24	ASLEK4H4S24	ASLCI4H4S24
ASLEC4H4S36	ASLEK4H4S36	ASLCI4H4S36

Model	W	H	D
Units:mm			
ASLCI4H4S09	810	580	280
ASLCI4H4S12	810	580	280
ASLCI4H4S18	860	670	310
ASLCI4H4S24	950	840	340
ASLCI4H4S36	950	1050	340
Units:in			
ASLCI4H4S09	31-7/8	22-7/8	11
ASLCI4H4S12	31-7/8	22-7/8	11
ASLCI4H4S18	33-7/8	26-3/8	12-1/4
ASLCI4H4S24	37-3/8	33	13-3/8
ASLCI4H4S36	37-3/8	41-5/16	13-3/8





Submission Sheet for Sky Pro Series

Cassette	Ducted	Outdoor Unit
ASLEC4H4S09	ASLEK4H4S09	ASLCI4H4S09
ASLEC4H4S12	ASLEK4H4S12	ASLCI4H4S12
ASLEC4H4S18	ASLEK4H4S18	ASLCI4H4S18
ASLEC4H4S24	ASLEK4H4S24	ASLCI4H4S24
ASLEC4H4S36	ASLEK4H4S36	ASLCI4H4S36

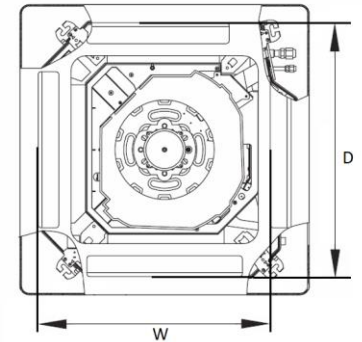
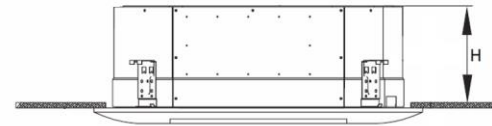
Cassette Indoor Units						
Model		ASLEC4H4S09	ASLEC4H4S12	ASLEC4H4S18	ASLEC4H4S24	ASLEC4H4S36
Voltage, Frequency, Phase		208/230V, 60Hz, 1P				
Cooling Capacity	Btu/h	9000	12000	18000	24000	36000
	W	2638	3517	5275	7034	10550
Heating Capacity	Btu/h	9000	12000	18000	24000	36000
	W	2638	3517	5275	7034	10550
Output Power	W	57	57	80	80	124
Air Flow Volume (H/M/L)	CFM	309/-/-	324/294/235	588/500/394	647/530/400	941/794/676
	m ³ /h	520/-/-	550/500/400	1000/850/670	1100/900/680	1600/1350/1150
Sound Pressure Level	dB(A)	38/34/31	42/37/33	38/36/34	44/40/38	49/43/39
Net Dimensions (WXHxD)	mm	570X215X570	570X215X570	840X248X840	840X248X840	840X298X840
	in	22-7/16X8-7/16X22-7/16	22-7/16X8-7/16X22-7/16	33X9-3/4X33	33X9-3/4X33	33X11-3/4X33
Gross Dimensions (WXHxD)	mm	730X292X668	730X292X668	996X956X370	996X956X370	996X956X420
	in	28-3/4X11-1/2X26-5/16	28-3/4X11-1/2X26-5/16	39-1/4X37-1/16X14-9/16	39-1/4X37-1/16X14-9/16	39-1/4X37-1/16X16-1/2
Net Weight	kg	14.5	15.5	22.5	27	32
	Lbs	32	34	56	59.5	70.5
Gross Weight	kg	17.5	18.5	33.5	36	41
	Lbs	38.5	40.5	73.8	79.5	90.4
Outer Diameter Liquid Pipe	mm	6.35	6.35	6.35	9.52	9.52
	in	¼	¼	¼	3/8	3/8
Outer Diameter Gas Pipe	mm	9.52	9.52	12.7	15.88	19.1
	in	3/8	3/8	½	5/8	¾



Submittal Sheet for Sky Pro Series

Cassette	Ducted	Outdoor Unit
ASLEC4H4S09	ASLEK4H4S09	ASLCI4H4S09
ASLEC4H4S12	ASLEK4H4S12	ASLCI4H4S12
ASLEC4H4S18	ASLEK4H4S18	ASLCI4H4S18
ASLEC4H4S24	ASLEK4H4S24	ASLCI4H4S24
ASLEC4H4S36	ASLEK4H4S36	ASLCI4H4S36

Model	W	H	D
Units:mm			
ASLEC4H4S09	570	215	570
ASLEC4H4S12	570	215	570
ASLEC4H4S18	840	248	840
ASLEC4H4S24	840	248	840
ASLEC4H4S36	840	298	840
Units:in			
ASLEC4H4S09	22-7/16	8-7/16	22-7/16
ASLEC4H4S12	22-7/16	8-7/16	22-7/16
ASLEC4H4S18	33	9-3/4	33
ASLEC4H4S24	33	9-3/4	33
ASLEC4H4S36	33	11-3/4	33





Submission Sheet for Sky Pro Series

Cassette	Ducted	Outdoor Unit
ASLEC4H4S09	ASLEK4H4S09	ASLCI4H4S09
ASLEC4H4S12	ASLEK4H4S12	ASLCI4H4S12
ASLEC4H4S18	ASLEK4H4S18	ASLCI4H4S18
ASLEC4H4S24	ASLEK4H4S24	ASLCI4H4S24
ASLEC4H4S36	ASLEK4H4S36	ASLCI4H4S36

Cassette Indoor Units						
Model		ASLEK4H4S09	ASLEK4H4S12	ASLEK4H4S18	ASLEK4H4S24	ASLEK4H4S36
Voltage, Frequency, Phase		208/230V, 60Hz, 1P				
Cooling Capacity	Btu/h	9000	12000	18000	24000	36000
	W	2638	3517	5275	7034	10550
Heating Capacity	Btu/h	10000	12500	19000	24000	36000
	W	2931	3663	5568	7034	10550
Output Power	W	40	40	60	95	250
Air Flow Volume (H/M/L)	CFM	309/-/-	324/285/235	529/441/371	706/588/500	883/735/617
	m ³ /h	520/-/-	550/484/400	900/750/630	1200/1000/850	1500/1250/1050
Sound Pressure Level	dB(A)	35/33/32	36/34/33	38/37/36	42/38/36	43/40/38
Net Dimensions (WXHxD)	mm	910X190X447	910X190X447	1180X190X447	900X270X720	1300X350X800
	in	35-7/8X7-7/16X17-1/2	35-7/8X7-7/16X17-1/2	46-7/16X7-1/2X17-1/2	35-3/8X10-5/8X28-3/8	51-1/8X13-3/4X31-1/2
Gross Dimensions (WXHxD)	mm	1080X285X565	1080X285X565	1350X285X565	1170X340X870	1550X410X940
	in	42-1/2X11-1/4X22-1/4	42-1/2X11-1/4X22-1/4	53-1/8X11-1/4X22-1/4	46X13-3/8X34-1/4	61X16-1/8X37
Net Weight	kg	18	18	22.5	30	51
	Lbs	39.7	39.7	49.6	66.1	112.4
Gross Weight	kg	21	21	25.5	35	60
	Lbs	46.3	46.3	56.2	77.2	132.3
Outer Diameter Liquid Pipe	mm	6.35	6.35	6.35	9.52	9.52
	in	¼	¼	¼	3/8	3/8
Outer Diameter Gas Pipe	mm	9.52	9.52	12.7	15.88	19.1
	in	3/8	3/8	½	5/8	¾



Submittal Sheet for Sky Pro Series

Cassette	Ducted	Outdoor Unit
ASLEC4H4S09	ASLEK4H4S09	ASLCI4H4S09
ASLEC4H4S12	ASLEK4H4S12	ASLCI4H4S12
ASLEC4H4S18	ASLEK4H4S18	ASLCI4H4S18
ASLEC4H4S24	ASLEK4H4S24	ASLCI4H4S24
ASLEC4H4S36	ASLEK4H4S36	ASLCI4H4S36

Model	W	H	D
Units:mm			
ASLEK4H4S09	910	190	447
ASLEK4H4S12	910	190	447
ASLEK4H4S18	1180	190	447
ASLEK4H4S24	900	270	720
ASLEK4H4S36	1300	350	800
Units:in			
ASLEK4H4S09	35-7/8	7-7/16	17-1/2
ASLEK4H4S12	35-7/8	7-7/16	17-1/2
ASLEK4H4S18	46-7/16	7-1/2	17-1/2
ASLEK4H4S24	35-3/8	10-5/8	28-3/8
ASLEK4H4S36	51-1/8	13-3/4	31-1/2

